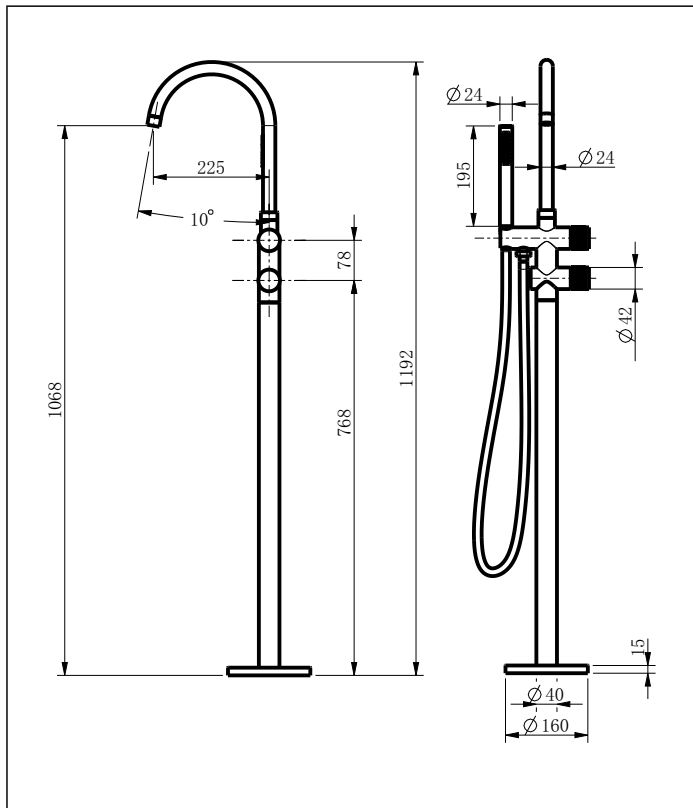


Circo

Floor Standing Bath Filler with Handshower



Code: CC BSETFLOOR BS | CC BSETFLOOR GM | CC BSETFLOOR BG | CC BSETFLOOR BLK | CC BSETFLOOR M
Finish: Brushed stainless | Gun Metal | Brushed Gold | Black | Mirror Finish

Spout: Swivel, 360°

Water Outlet: M22 x 1 Standard aerator fitted

Water Inlets: 2 x 1/2" BSP female via mounting unit

Handshower Head: Single spray chrome

Handshower Hose: 1.5m stainless steel narrow bore hose

Mounting Hardware: Installation unit needs to be mounted 50mm below finished floor level
 Use best plumbing practice for sealing mounting unit below finished floor level

Installation Hole: 120mm x 100mm x 50mm depth minimum

Cover: 160mm (Diameter) x 15mm (Height)

Reach: 225mm

Height: 1192 mm height from floor (1068 mm at aerator)

Divertor type: Handle to divert flow. Handle 1: 90 degree Handshower to spout
 Handle 2: 90 degree on/off cartridge 35mm.

Cartridge: Multi port divertor 35mm flat base

Max water flow from bath filler: 4 l/min @35kPa

Hand Shower Flow Control: @ PCW 9 l/min (+-) 10% nominal flow from 100 kPa onwards

Finish/Material Specifications:

- Body and Handle are Made from 100% solid stainless steel (Lead free)
- (M) Mirror finish is achieved through polishing the stainless to a mirror-like shine.
- Black finish is electroplated
- The Gun Metal and Brushed Gold finish are PVD (Physical Vapour Desposition)

Suitable for mains pressure only

Recommended Operational Pressure Range: 150 - 600 kPa
 Maximum Operating Temp: 80°C Never to Exceed: 1000 kPa



aquatica



KIWI OWNED COMPANY

NZ • DESIGNED
 • ASSEMBLED
 • TESTED

Aquatica NZ Limited

9 Saunders Place,
 Avondale, Auckland.
 Tel: 09-828 2068,
 Fax: 09-828 2069
 Email: info@aquatica.co.nz
 or visit our website:
www.aquatica.co.nz

© copyright Aquatica 2019