

# INSTALLATION INSTRUCTIONS



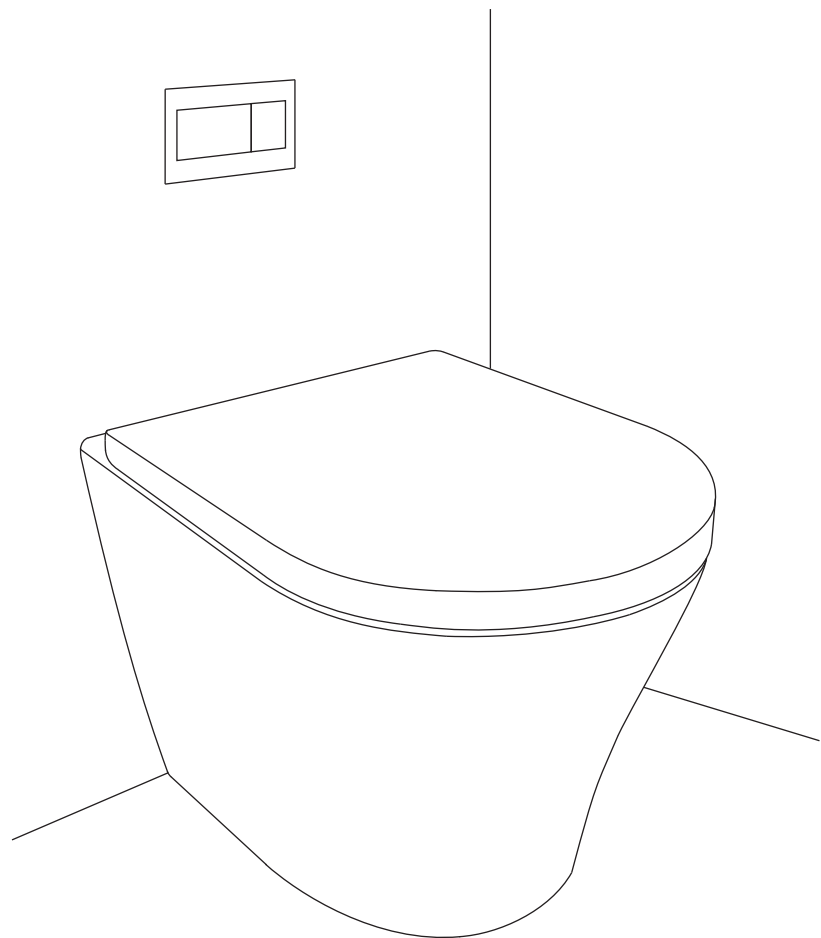
## TOILET

## EVORA™ WALL FACED 78597A-SST



With an Englefield toilet suite you can be sure of having excellence, comfort, durability and style.

It's the details that Englefield cares about - from pioneering the latest technology, to innovative design.



## BEFORE YOU BEGIN

Before proceeding with installation, please read these instructions carefully to familiarise yourself with the required tools, materials and installation sequences. Please leave these instructions for the consumer after installation.

For contact information, refer to the final page of this document.

Prior to installation, inspect the toilet to ensure that no damage has occurred in transit. If damage has occurred, or a visible defect exists, do not proceed with installation, and advise your supplier immediately.



**CAUTION:** Risk of personal injury or product damage. Handle with care.  
Vitreous china can break or chip if the product is handled carelessly.

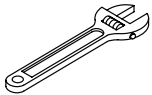


Observe all local plumbing and building codes. Installation shall be in accordance with AS/NZS 3500 and AS/NZS 6400.

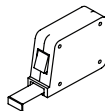


Select a suitable WaterMark certified 4.5/3 L cistern.

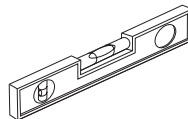
## TOOLS AND MATERIALS REQUIRED



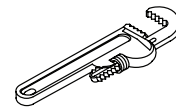
Adjustable  
Spanner



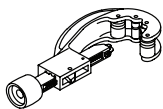
Tape Measure



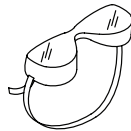
Level



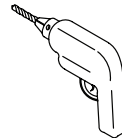
Pipe Wrench



Tube Cutter



Safety Glasses



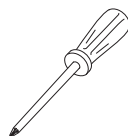
Drill & Bits

### Plus:

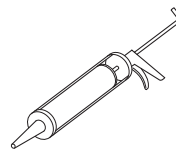
- Adjustable Pliers
- Metal File
- 1/2" Socket
- Saw
- Silicone Sealant
- Pencil
- Metal file
- Knife
- Straight pipe coupling
- Connection packing



Sponge

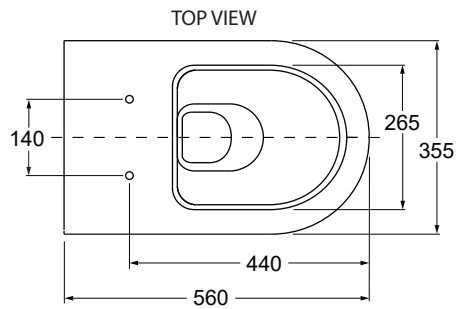


Screwdriver



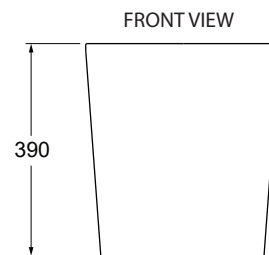
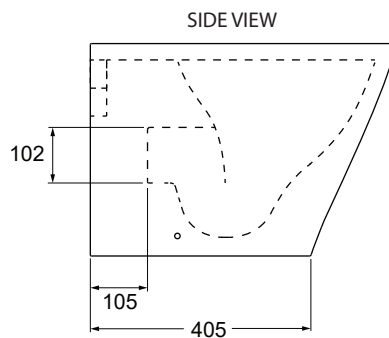
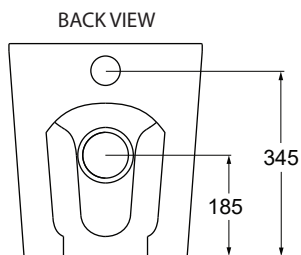
Caulking Gun

## ROUGHING-IN



All dimensions in mm.

Kohler Co. reserves the right to change the marked dimensions without prior notice.

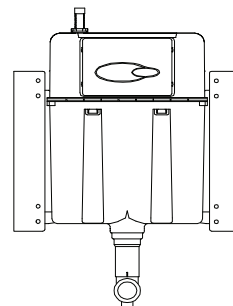


## INSTALLATION

## 1 Install The In-wall Cistern

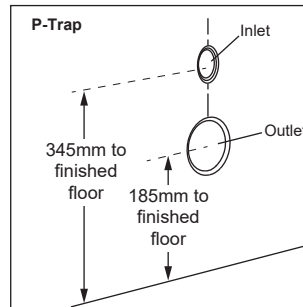
- Turn the water supply off before installing the new toilet.
- Install the in-wall cistern in wall before finishing the wall.
- Install the in-wall cistern as per supplied installation instructions

Recommended Cistern:  
10611A-NA Kohler In-wall Cistern 4.5/3L  
(or similar)

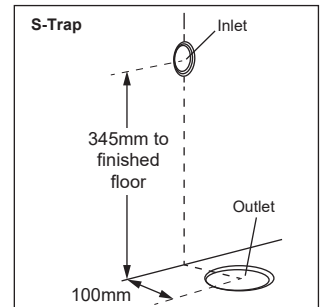


## 2 Install The Pan

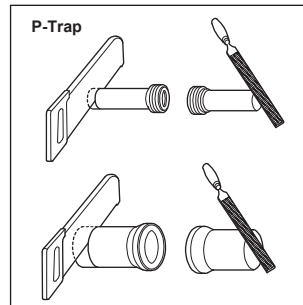
a) Check the inlet & outlet positions are as shown.



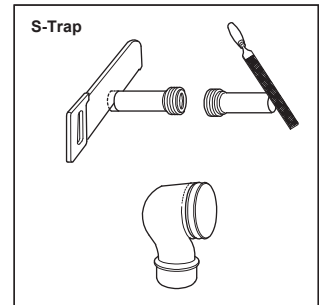
OR



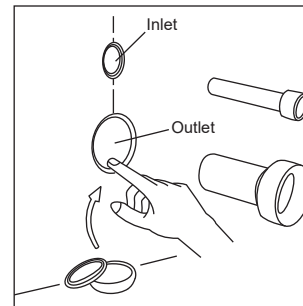
b) Cut the inlet and outlet pipes to correct length according to the manufacturer's instructions.



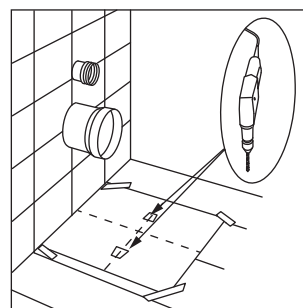
OR



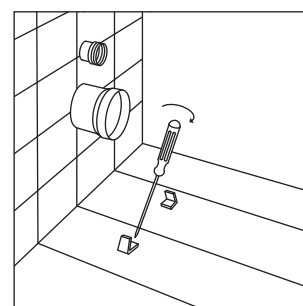
c) Apply lubricant to the inside of the inlet and outlet pipe holes to aid with installation. Connect pipes.



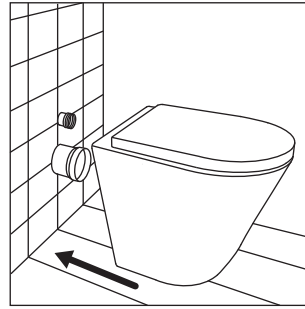
d) Place the template on the floor, align the back edge to the wall and secure the template in position. Drill the fixing holes with 8mm drill.



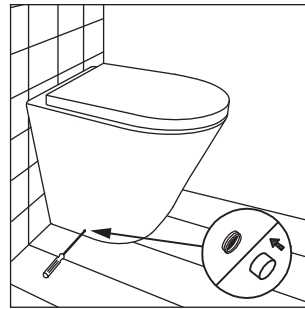
e) Fit the brackets to the floor and secure in position with the floor plugs, washers and the bolts.



- f) Position the toilet over the floor fixings and connect the toilet to the inlet and outlet pipes.



- g) Secure the toilet to the brackets with the plastic sleeves and the screws. Fit the plastic cover caps over the heads of the screws.



### 3 Finish The Installation

- Ensure that all the connections are tight.
- Turn on the water supply and check for any leaks.
- Flush the toilet to check for correct operation.

## IMPORTANT CONSUMER INFORMATION

When cleaning up after installation, do not use abrasive cleaners as they may scratch and dull toilet surface. Remove stubborn stains, paint or tar with turpentine or paint thinner. Do not allow cleaners containing petroleum distillates to remain in contact with any toilet surface for long periods of time.

Remove plaster by carefully scraping with a wooden edge. Do not use metal scrapers, wire brushes or other metal tools. Use a powder type detergent on a damp cloth to provide mild abrasive action to any residual plaster.

Clean the outside surface of your vitreous china product with mild soap and warm water. Wipe the entire surface completely dry with a clean, soft cloth. Most toilet bowl cleaners are not harmful to the vitreous china surface of the toilet bowl. Please follow the bowl cleaner manufacturer's instructions carefully. Do not use abrasive cleaners or solvents.

## CONTACT INFORMATION

### NEW ZEALAND KOHLER NZ LTD

Free Ph: 0800 100 382  
Free Fax: 0800 664 488  
[www.inglefield.co.nz](http://www.inglefield.co.nz)

### AUSTRALIA KOHLER Australia

Free Ph: 1 800 ENGLEFIELD  
(1 800 364 533)  
[www.inglefield.com](http://www.inglefield.com)



**For warranty information, please visit our website**