



# KITSET TIMBER FRAME

## INSTALLATION INSTRUCTIONS

### BEFORE YOU BEGIN

- Please read these instructions carefully to familiarise yourself with the required tools, materials, and installation sequences. Follow the sections that pertain to your particular installation. This will help you avoid costly mistakes. In addition to proper installation, read all operating and safety instructions.
- All information is based on the latest product information available at the time of publication. Kohler Co. reserves the right to make changes in product characteristics, packaging, or availability at any time without notice.
- These instructions contain important care, cleaning, and warranty information - **please leave these instructions for the consumer.**

### GENERAL INFORMATION

#### KITSET FRAME ORDERING INFORMATION

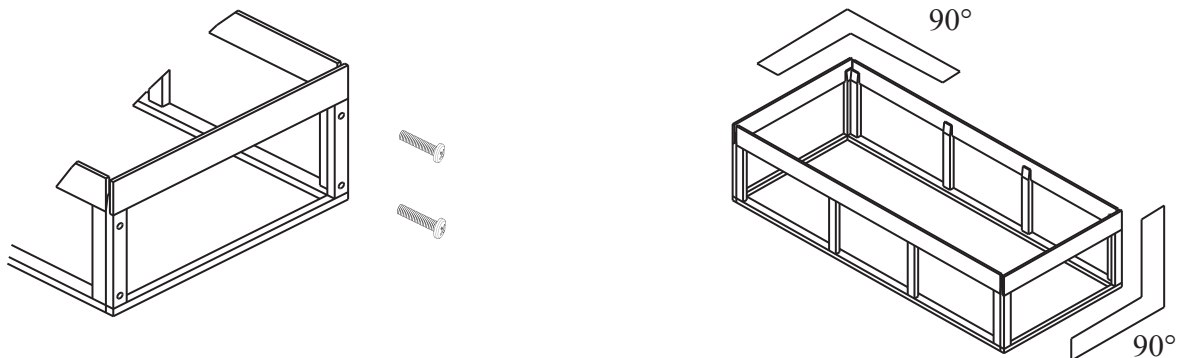
Frame	For Bath SKUs	Frame Part Number
1520x760x420	1067A-0 Duo II, 1072A-0 Valencia, 1076A-0 Sorrento II	1141301
1670x760x420	1064A-0 Duo II, 1071A-0 Valencia, 1073A-0 Sorrento II	1141302
1670x760x515	1063A-0 Studio II (1 person)	1141304
1800x760x515	1062A-0 Studio II (symmetrical), 99796A-0 Studio II (1 person)	1141305
1850x950x520	11197A-0 Sierra (2 person)	1161731
1300x1300x515	1059A-0 Ario, 1996A-0 Sorrento II	1141306
1500x1500x515	1058A-0 Ario, 1075A-0 Sorrento II	1141303

### INSTALLATION

- 1) Unpack frame and check for any transit damage prior to assembly and installation.
- 2) Setup the frame on a flat level surface as shown overleaf.
- 3) Check that all pieces are oriented as shown overleaf for either a rectangular or corner bath frame.
- 4) Screw frame together using appropriate woods screws. The pilot holes will provide location.

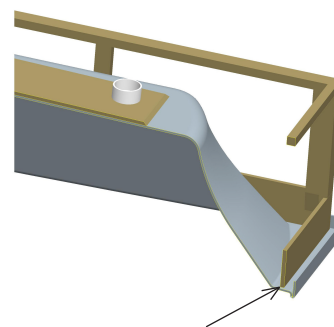
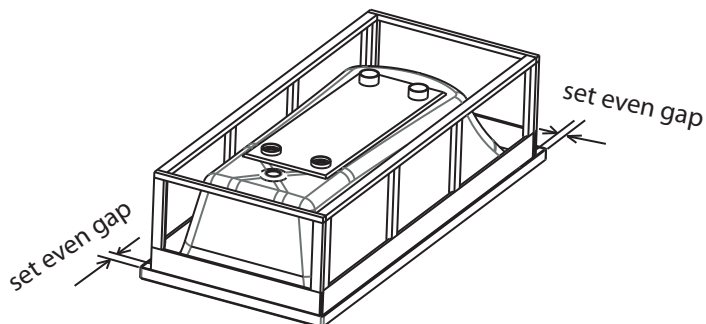


Ensure that the edges of the frame are held flush and square when inserting screws. For a better quality joint, it is recommended that an appropriate adhesive is applied to the frame edges prior to screwing together.



- 5) Check that the frame has been assembled square and straight.
- 6) Check that the frame fits the bath by turning the bath upside down and placing the frame on the bath.

7) An even gap should be set around the front edges of the bath. Alternatively, adjust the gap to suit your particular installation requirements.



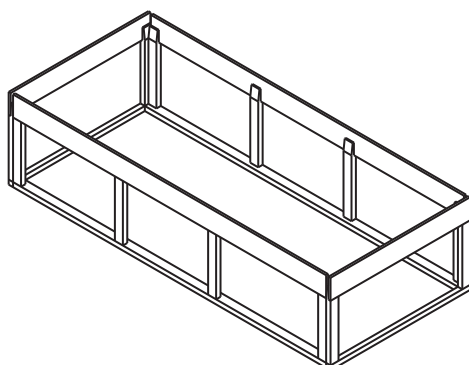
Apply adhesive between frame and bath

8) If the bath shell interferes with the frame, the frame can be notched out or sanded locally to achieve a good fit to the bath shell.

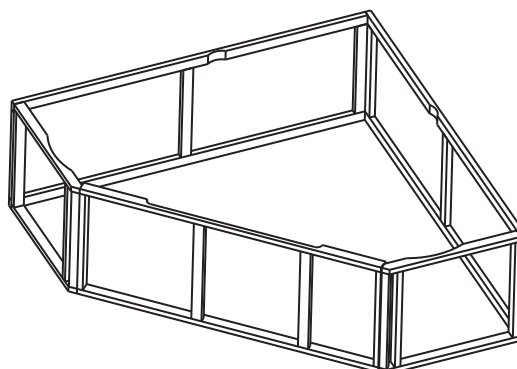
9) The bath shell should next be bonded to the frame using an appropriate builder's adhesive. It is the builder's responsibility to ensure the suitability of this joint. Be sure to keep the frame square to the bath while the adhesive sets.

## FRAME ORIENTATIONS

Rectangular bath frame



Corner bath frame



## CONTACT AND WARRANTY INFORMATION

For warranty information, please visit our website.

Australia  
[www.inglefield.com](http://www.inglefield.com)

New Zealand  
[www.inglefield.co.nz](http://www.inglefield.co.nz)



## CALL US FOR HELP

NEW ZEALAND  
KOHLER NZ LTD

Free Ph: 0800 100 382  
Free Fax: 0800 664 488  
[www.inglefield.co.nz](http://www.inglefield.co.nz)

AUSTRALIA  
KOHLER CO.

Free Ph: 1800 ENGLEFIELD  
(1800 364 533)  
[www.inglefield.com](http://www.inglefield.com)