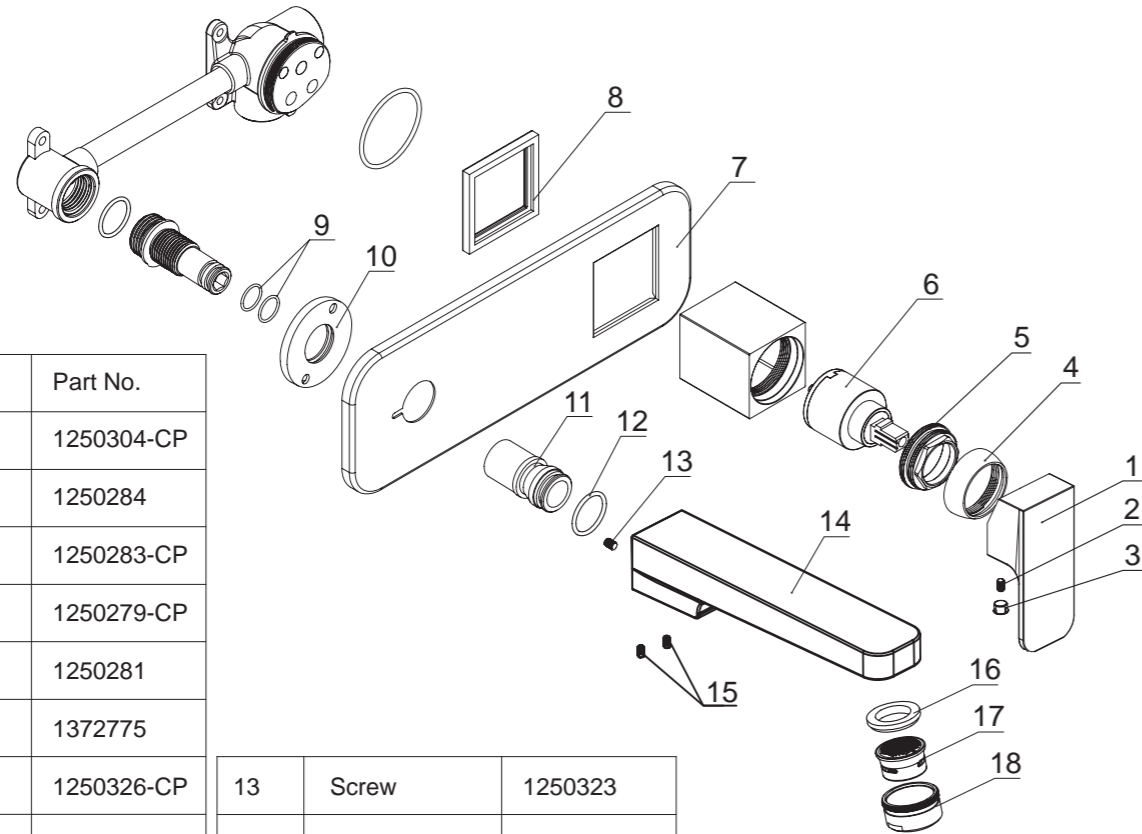


SPARE PARTS LIST



No.	Description	Part No.
1	Handle	1250304-CP
2	Screw	1250284
3	Button	1250283-CP
4	Bonnet	1250279-CP
5	Nut	1250281
6	Cartridge	1372775
7	Face Plate	1250326-CP
8	Gasket	1250327
9	O-ring	1250325
10	Base	1250329
11	Spout Adaptor	1250328
12	O-ring	1250324
13	Screw	1250323
14	Spout	1250322-CP
15	Screw	1250284
16	Washer	1250285
17	Aerator	1250293
18	Aerator Shell	1250290-CP

CLEANING INSTRUCTIONS

All Finishes: Clean the finish with mild soap and warm water. Wipe entire surface completely dry with a clean soft cloth. Many cleaners may contain such chemicals as ammonia, chlorine, toilet chemicals etc., which could adversely affect the finish and are not recommended for cleaning.

Do not use abrasive cleaners or solvents on Englefield tapware.

CONTACT AND WARRANTY INFORMATION

**NEW ZEALAND**  
KOHLER NZ LTD

Free Ph: 0800 100 382  
Free Fax: 0800 664 488  
www.engagefield.co.nz

**AUSTRALIA**  
KOHLER AUSTRALIA

Free Ph: 1 800 ENGLEFIELD  
(1 800 364 533)  
www.engagefield.com



Trusted in New Zealand Since 1982

INSTALLATION INSTRUCTIONS



Trusted in New Zealand Since 1982

TAPWARE

MILANO Wall-Mount Basin Mixer 97521A-CP



BEFORE YOU BEGIN

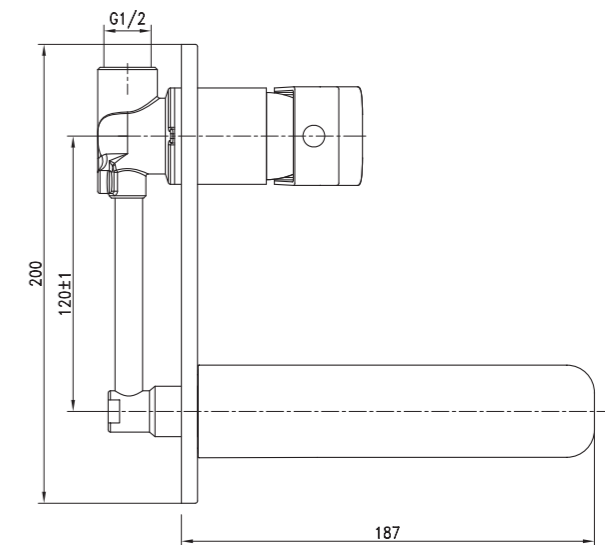
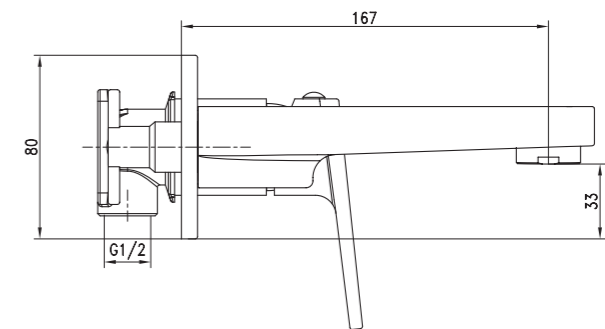
All information is based on the latest product information available at the time of publication. ENGLEFIELD reserves the right to make changes in product characteristics, packaging, or availability at any time without notice.

Please leave this installation guide for the consumer as it contains important information.

NOTES:

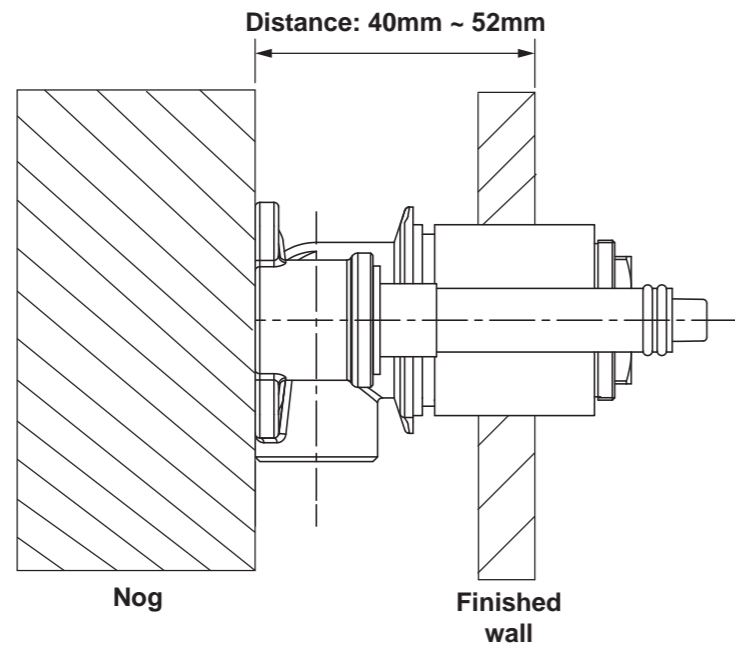
1. Flush the water supply pipes thoroughly to remove any debris.
2. An in-line water filter must be used with this product.
3. If possible, install this mixer before installing basin.
4. Ensure all local plumbing codes are observed.
5. Recommended working pressure: 100kPa to 500kPa.
6. Maximum working pressure: 800kPa.
7. If pressure exceeds 500kPa, a pressure limiting valve must be installed.
8. All installations should comply with the relevant requirements of AS/NZS 3500 and AS/NZS 6400.

ROUGH-IN



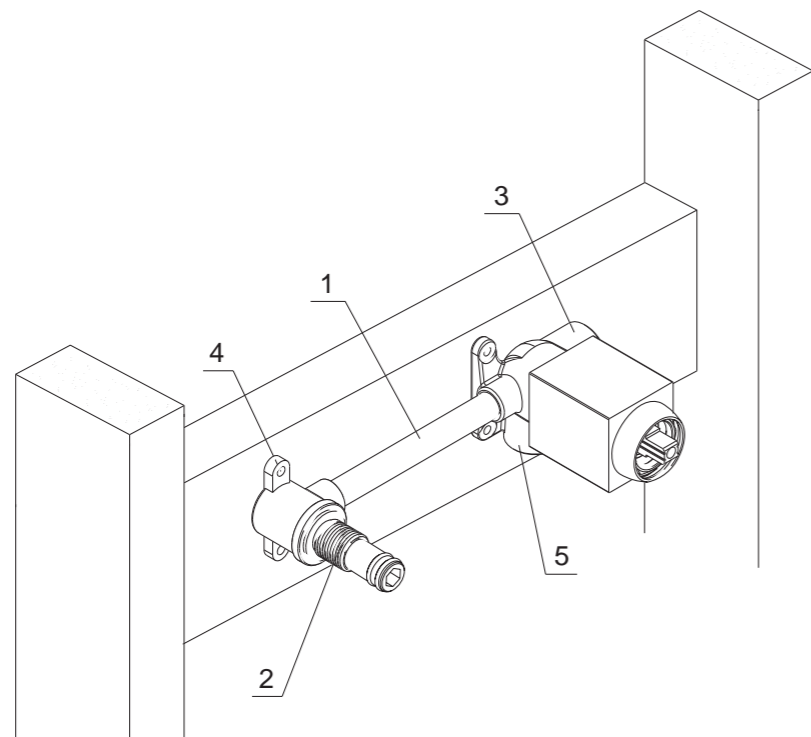
## INSTALLATION - IN-WALL VALVE

- 1.) Construct a suitable nog for mounting the in-wall valve (1). Ensure the nog is level and at the correct depth.  
**Note: Distance from mounting surface to external surface of finished wall is between 40mm and 52mm.**



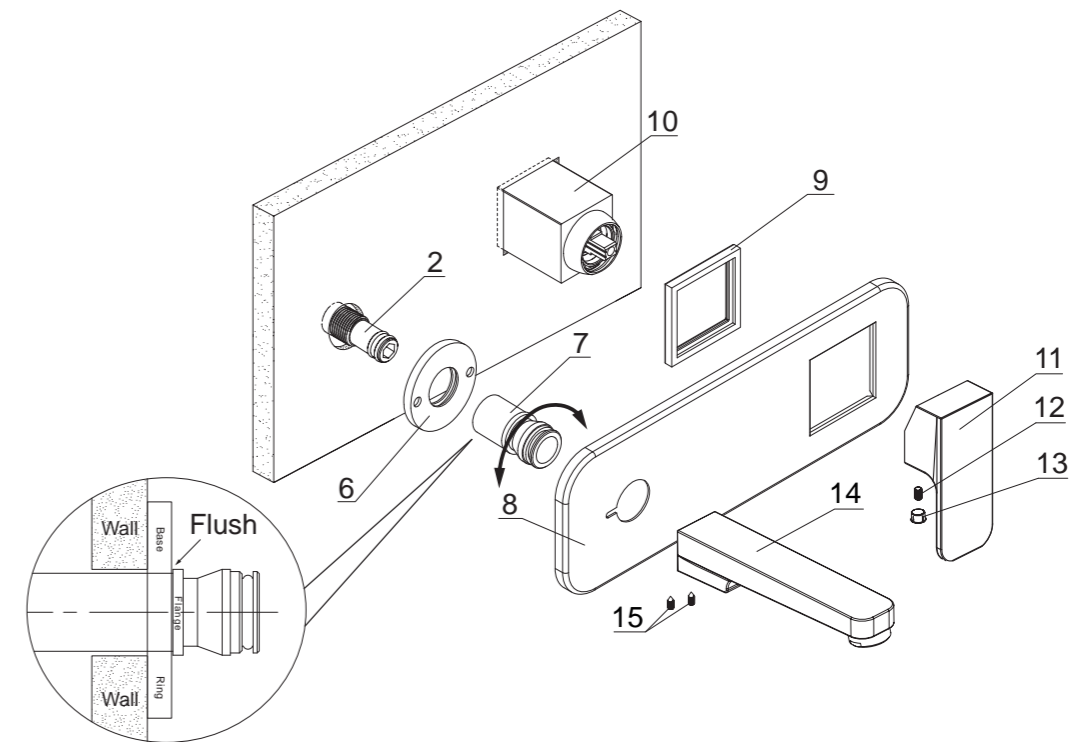
- 2.) Ensure the cold water inlet(3) is on the right. Fix the in-wall valve body onto the nog through the lugs(4).  
**Note: Fixing screws not supplied.**
- 3.) Connect the G1/2" water supply pipes to the inlets.  
**Note: Cold water inlet (3) on the right, hot water inlet (5) on the underside.**

**NOTE: DO NOT DISCARD THE PLASTIC GUARDS UNTIL THE FINISHED WALL HAS BEEN COMPLETED.**



## INSTALLATION - SPOUT AND TRIM KIT

- 1.) Remove the plastic guards after the finished wall has been completed.
- 2.) Fit the base ring (6) over the spout nipple (2). Ensure through holes are aligned horizontally.
- 3.) Firmly screw the spout adaptor (7) onto the spout nipple (2) until the back of the flange of spout adaptor flushes with the front of base ring (6).
- 4.) Apply a bead of silicone to the rear of the faceplate (8). Slide the faceplate and gasket (9) onto the valve body (10) and push it firmly against the wall.
- 5.) Install the handle (11) on the cartridge stud and tighten the grub screw (12) with the hex key (supplied).
- 6.) Insert the plug button (13) into the handle.
- 7.) Fit the spout (14) onto the spout adaptor, press firmly against the faceplate and tighten the grub screws (15) with the hex key.



## INSTALLATION CHECKOUT - FINAL

- 1.) Ensure that all connections are tight. Ensure that the handle is in the off position.
- 2.) Open the basin drain as necessary. Turn on main water supply and check for leaks. Repair as required.
- 3.) Remove aerator (16). Turn on the basin mixer. Run hot and cold water through spout for about one minute to remove any debris. Remove any debris from aerator. Shut off the basin mixer and reinstall aerator.

