

INSTALLATION INSTRUCTIONS



Trusted in New Zealand Since 1982

BATHS

FREESTANDING

ROUGH IN DIMENSIONS

Product & Part Number	Rough-in dimensions
Valencia 1500 FS Bath Part number: 24247A-0	
Valencia 1700 FS Bath Part number: 24248A-0	
Sierra 1500 FS Bath Part number: 24249A-0	
Sierra 1700 FS Bath Part number: 24250A-0	
Tuscano 1500 FS Bath Part number: 24251A-0	
Tuscano 1700 FS Bath Part number: 24252A-0	
Studio II 1700 FS Bath Part number: 24246A-0	

Englefield has a history of making superb baths and their popularity is testament to their quality and affordability.

It's the details that Englefield cares about - from pioneering the latest technology, to innovative design, it's all to make your bathing experience the very best it can be.

NOTE: Check the rough-in and room dimensions to provide adequate available space for the bath unit. Check the flooring under designated bath position and make repairs as needed. For best results, ensure that the floor is level.

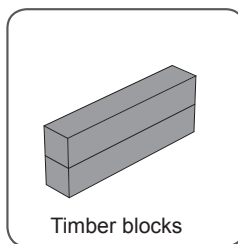
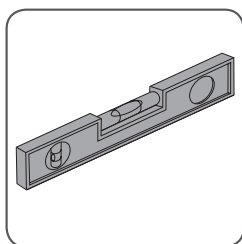
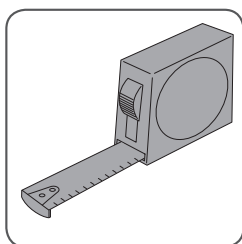
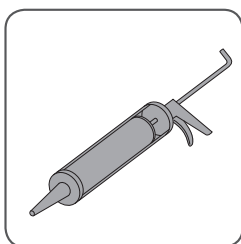
BEFORE YOU BEGIN

Before installing the bath please read these instructions carefully to familiarise yourself with the required tools, materials and installation sequences. This will help you avoid costly mistakes. The installation documents included assume that walls are plumb and floors are level. Slight adjustments to the installation procedure may be required for out-of-square surfaces.

In addition to proper installation, read all operating and safety instructions and refer to the Homeowner's Guide for important care and cleaning information. Ensure that all local building and plumbing codes are observed.

These instructions contain important care, cleaning and warranty information. Please leave these instructions for the consumer after installation.

TOOLS AND MATERIALS REQUIRED



Note: Instructions, drawings, and diagrams contained in this manual present information available at the time of printing. Although every attempt has been made to keep them up-to-date, Englefield reserves the right to implement product changes without further notice.

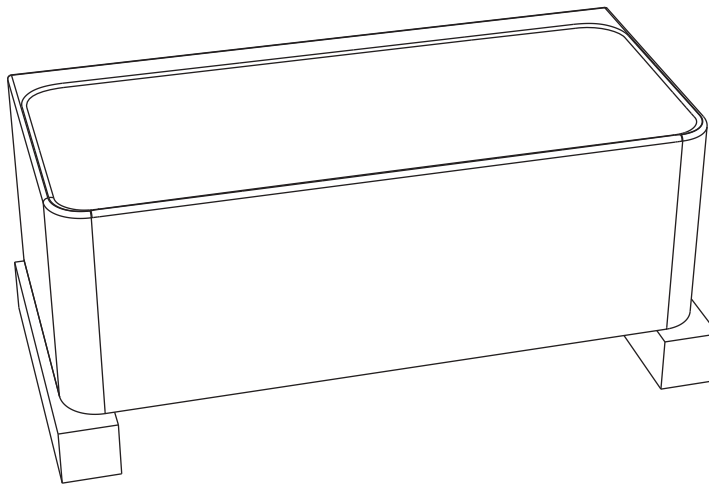
INSTALLATION

- 1) Unpack the bath and check for any transit damage prior to installation.
- 2) Position the bath in the desired location in the bathroom.
- 3) Check that the plumbing can be connected to the bath when in the desired location and that the positioning of the bath does not interfere with other bathroom fixtures.
- 4) Install the waste system (not supplied) in accordance with the manufacturers instructions. Please adhere to the relevant sections of NZS 3500 plumbing standard.

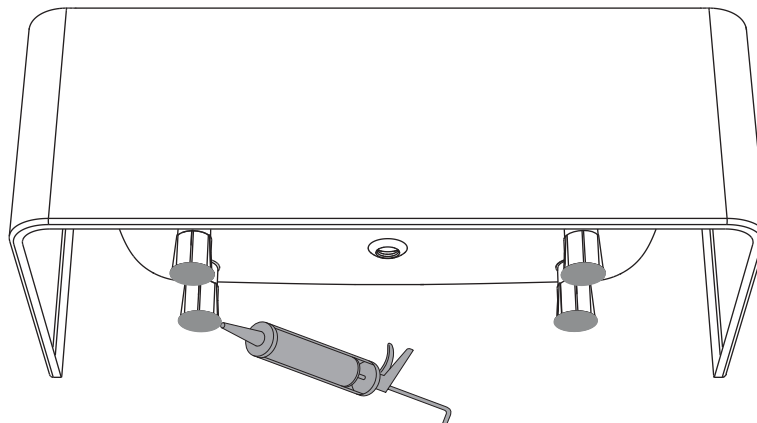
Recommended products are:

Product	Part Number
40mm pop-up bath waste	99329A-CP
Self-sealing trap with flexible waste pipe	80144A-NA

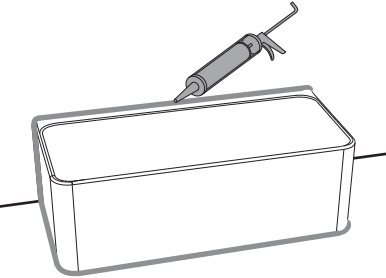
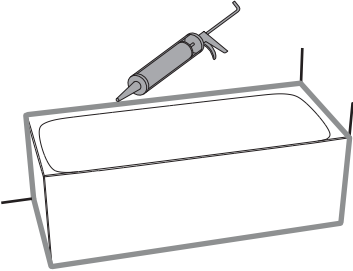
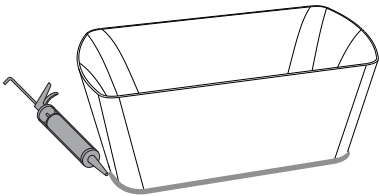
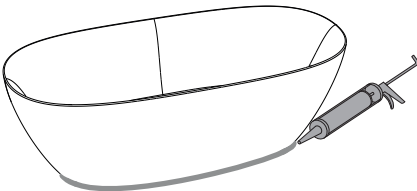
- 5) Raise the Free Standing bath off the floor by propping it up onto timber blocks positioned at either end of the bath. Install and connect the waste outlet.



- 6) Adjust the feet so that the bottom of each foot is protruding approximately 3 to 5mm from the underside of the bath. The feet must extend past the bath shell to take the weight of the bath. Feet should be level with each other so that the weight of the bath is evenly supported by the four feet.
- 7) Carefully remove the timber blocks and use a spirit level to check that the bath is level with the floor, adjust feet as necessary.
- 8) Carefully tilt the bath backward and apply an appropriate adhesive to each of the bath feet. Lower the bath back into position.



9) Apply silicone sealant between edges and adjacent surfaces ensuring that a watertight seal is formed.

<p>Valencia Freestanding BTW Baths</p> <p>Ensure that the silicone sealant is applied along the back edge of the bath.</p> 	<p>Sierra Freestanding BTW Baths</p> <p>Ensure that silicone sealant is applied along the back edge and top edge of sides of bath that are adjacent to a wall.</p> 
<p>Tuscano Freestanding Baths</p> <p>Ensure that silicone sealant is applied along the base edges that are adjacent to the floor.</p> 	<p>Studio II Freestanding Baths</p> <p>Ensure that silicone sealant is applied along the base edges that are adjacent to the floor.</p> 

Installation complete.

CLEANING AND MAINTENANCE INSTRUCTIONS

Please refer to the Homeowner’s Guide for cleaning instructions.

CONTACT AND WARRANTY INFORMATION

NEW ZEALAND
KOHLER NZ LTD

Free Ph: 0800 100 382
 Free Fax: 0800 664 488
www.Englefield.co.nz

AUSTRALIA
KOHLER CO.

Free Ph: 1 800 ENGLEFIELD
 (1 800 364 533)
www.Englefield.com



For warranty information, please visit our website.

Trusted in New Zealand Since 1982