

# MILANO™ Dual Rain Shower

Soft round/square modern design, the MILANO dual rain shower is ideal for any contemporary bathroom. It is available in four finish options and is easy to install and maintain.



**Features**

- Triple function hand shower with rub-clean nozzles.
- 2 modes of operation.
- Dual check valve for backflow prevention.
- Available in four colour finishes.
- Suitable for mains pressure.

**Colour/Finish**

- Polished chrome.
- Brushed nickel.
- Matte black.
- Gunmetal grey.



**Components**

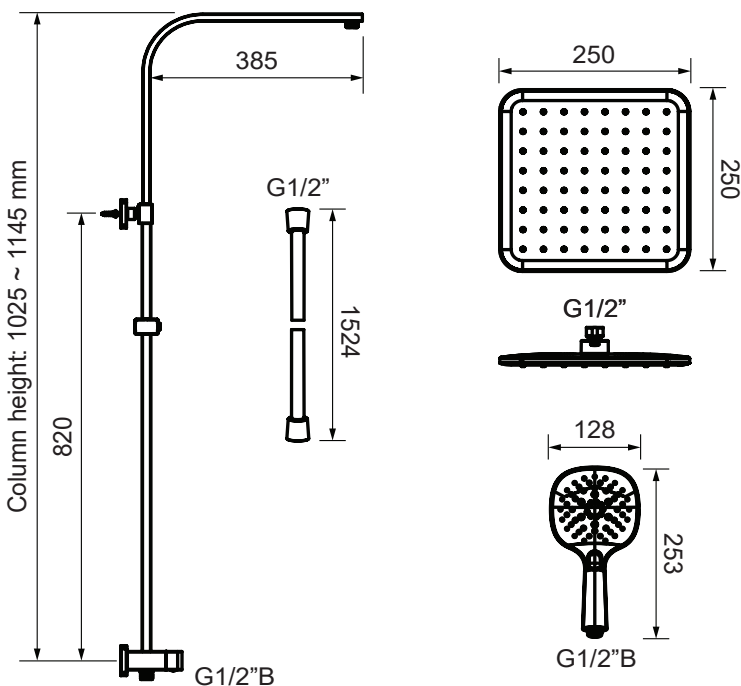
- Hand shower.
- Shower head.
- Slide bar & wall fixings.
- Push button clamp bracket.
- 1.5m anti-twist PVC shower hose.



**Materials**

- Plastic & metal construction.

Product Name	Product SKU
Milano Slide Shower with Triple Function Hand Shower, Polished Chrome	29439A-CP
Milano Slide Shower with Triple Function Hand Shower, Brushed Nickel	29439A-BN
Milano Slide Shower with Triple Function Hand Shower, Matte Black	29439A-BL
Milano Slide Shower with Triple Function Hand Shower, Gunmetal Grey	29439A-EGN



All measurements shown are in millimetres.

**Installation Notes:**

- All connections are 1/2" BSP.
- Optimum working pressure is 300-500 kPa.
- All installations should comply with local plumbing codes and the relevant requirements of AS/NZS 3500 and AS/NZS 6400.



**New Zealand**  
 133 Diana Drive, Glenfield, Auckland, New Zealand  
 PO Box 100-146 NSMC, Auckland, 0745  
 Ph: 0800 100 382 Fax: 0800 66 44 88  
 www.Englefield.co.nz

**Australia**  
 PO Box 253, Alexandria  
 NSW 1435, Australia  
 Ph: 1800 ENGLEFIELD (1800 364 533)  
 www.Englefield.com